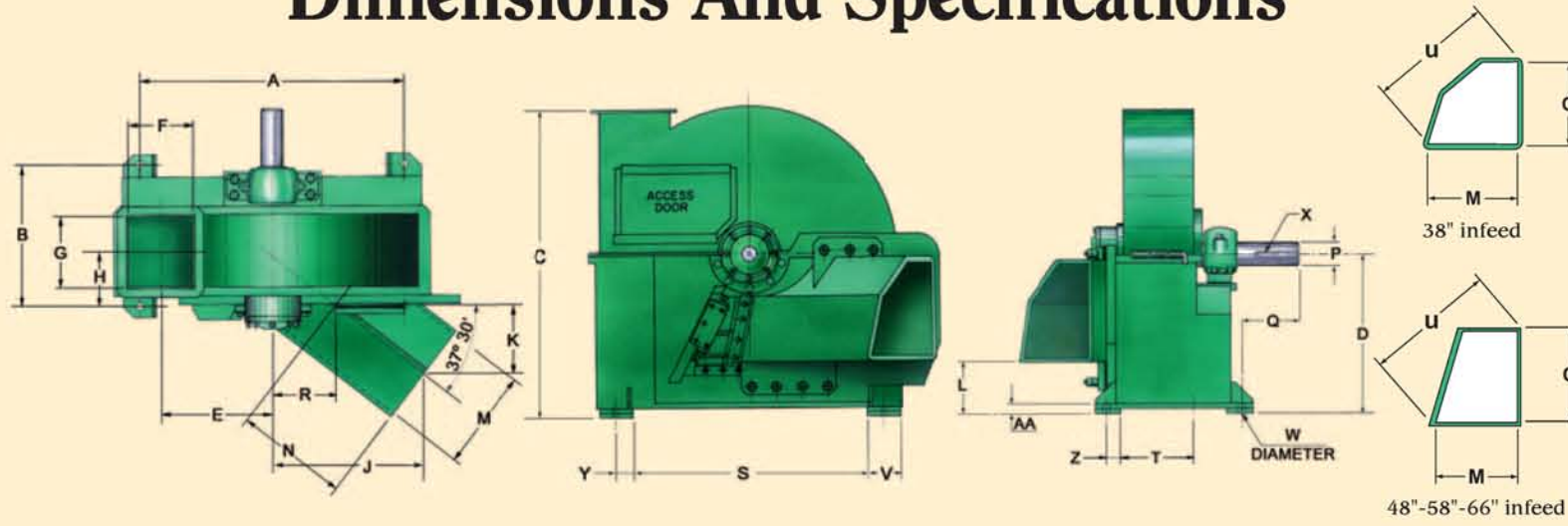


Precision Waste Wood Chipper Dimensions And Specifications



WASTE WOOD CHIPPERS



Chipper Size	38		48		58		66	
	inches	mm	inches	mm	inches	mm	inches	mm
A	36	914	48	1219	57	1448	67	1702
B	23	584	25 1/2	648	28 5/8	727	35	889
C	44 5/8	1133	55	1397	63	1600	74 1/4	1886
D	23 5/8	600	29	737	33	838	38 1/2	978
E	16	406	20	508	24 1/2	622	27 1/8	689
F	10	254	12	305	12	305	15	381
G	10 3/4	273	12 1/2	318	13 1/2	343	13 3/4	349
H	7 5/8	194	10	254	10 1/2	267	17 1/8	435
J	25 3/8	645	27	686	30 3/4	781	32 1/4	819
K	11 3/4	298	12 1/2	318	13	330	9	229
L	7 5/8	194	10 3/4	273	9 5/8	244	13 3/4	349
M	14 1/2	368	18	457	22	559	25	635
N	20 1/2	521	21	533	22	559	15 1/2	394
O	14 3/4	375	20 3/4	527	26	660	28	711
P	2 15/16	75	3 15/16	100	4 7/16	113	4 15/16	125
Q	5 1/2	140	10 1/8	257	8 1/2	216	11 1/2	292
R	9 1/8	232	10 1/4	260	13 1/4	337	19 7/8	505
S	32	813	42	1067	51	1295	55	1397
T	10 3/4	273	12 1/2	318	13 1/2	343	13 3/4	349
U	20 1/2	521	27	686	34	864	38	965
V	6	152	6	152	6	152	6	152
W	1 1/4	32	1 1/4	32	1 1/4	32	1 1/2	38
X	3/4 x 3/8 x 6	19 x 9.5 x 152	1 x 1/2 x 8 1/2	25 x 13 x 216	1 x 1/2 x 8 1/2	25 x 13 x 216	1 1/4 x 5/8 x 10	32 x 16 x 254
Y	2	51	3	76	3	76	6	152
Z	3	76	3 3/4	95	3 3/4	95	10 1/4	260
AA	1 1/2	38	1 1/2	38	1 1/4	32	1 1/4	32

SPECIFICATIONS

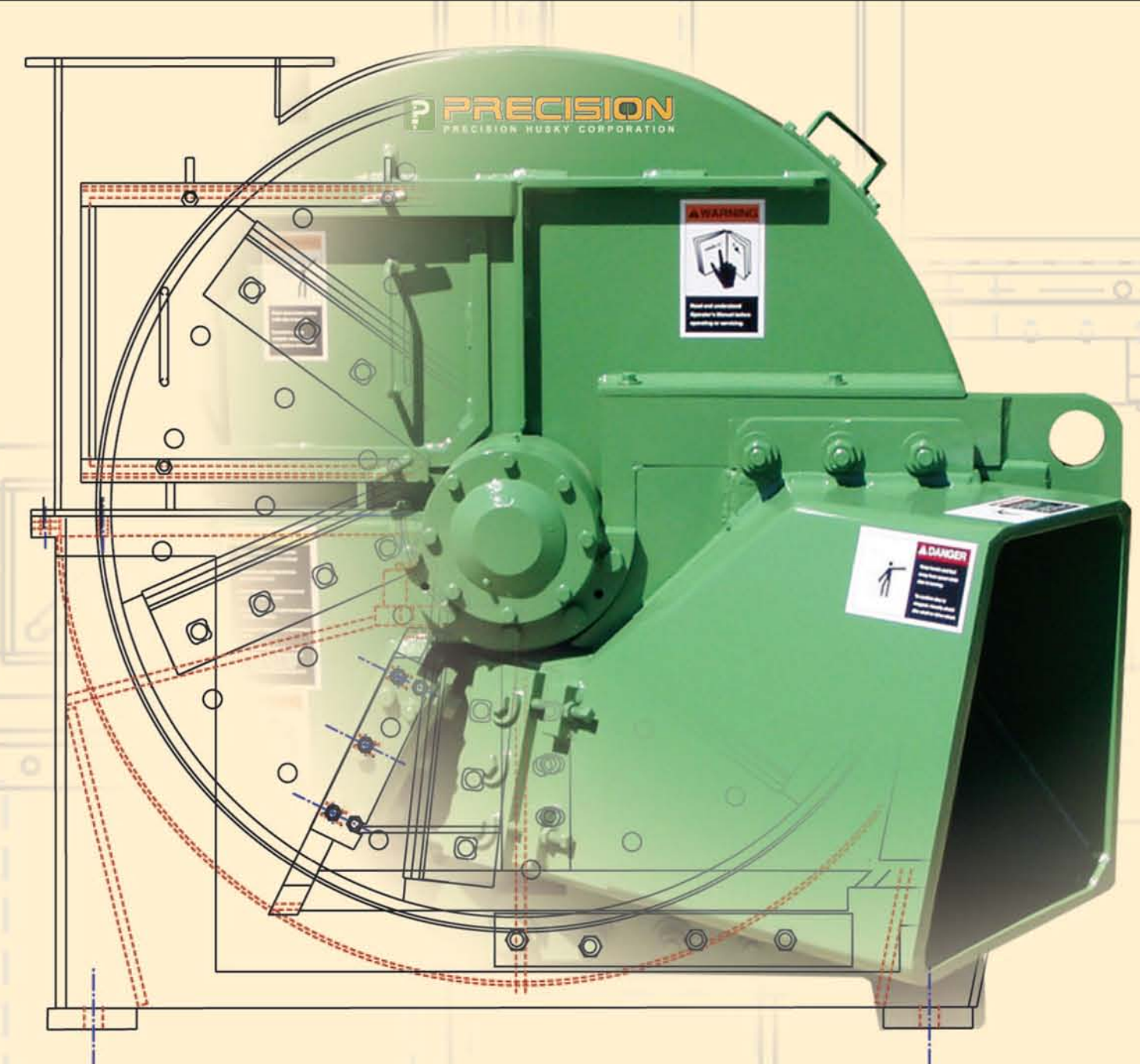
Chipper Size	38		48		58		66	
Max. R.P.M	1000		900		720		600	
Number of Knives	4		3,4,6 or 8		3,4,6 or 8		3,4,6 or 8	
Spout Opening	14 1/2" x 14 3/4" [368 x 375mm]		18" x 20 3/4" [457 x 527mm]		22" x 26" [559 x 660mm]		25" x 28" [635 x 711mm]	
Disc Diameter	38 1/2" [978mm]		48" [1219mm]		58" [1473mm]		66" [1676mm]	
Approx Feed Rt.	250 FPM	76.2MPM	337 FPM	102.7 MPM	270 FPM	82.3 MPM	300 FPM	91.4 MPM
Pulley Shaft Size	2 15/16" [75mm]		3 15/16" [100mm]		4 7/16" [113mm]		4 15/16" [125mm]	

* Please consult factory for production rates.



Distributed By:
Kilkenny Mechanical Handling Systems Ltd
 Ireland Office: Raheenduff, Cullinstown, Co. Kilkenny, Ireland.
 UK Office: 69 Pure Offices, Plato Close, Tachbrook Park, Leamington Spa, Warwickshire, CV34 6WE, United Kingdom.
 UK: +44 (0) 203 355 15 91
 Ireland: +353 (0) 56 7708844
 Fax: +353 (0) 56 7708843, E-mail: info@kmhsys.com

Specifications given were approved at the time of initial printing and are subject to change without notice and without incurring any liability.



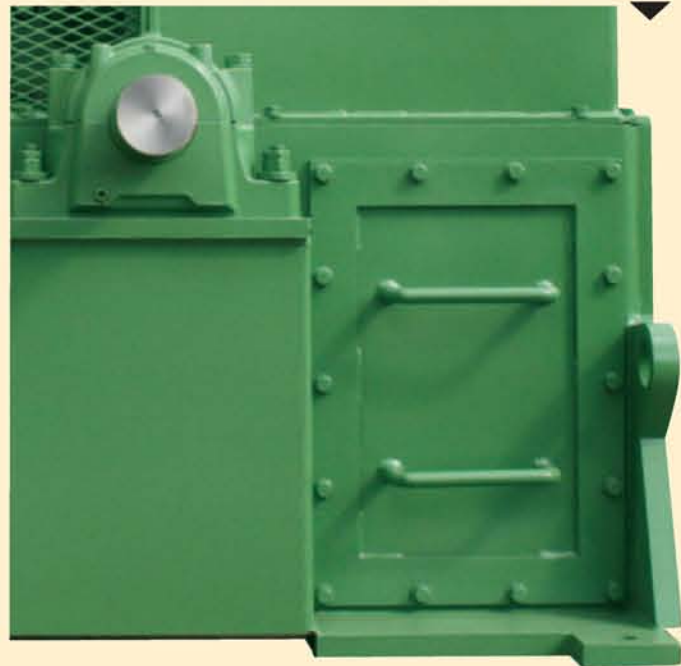
Engineered for Performance, Built for Endurance

PRECISION'S UNIQUE PROVEN DESIGN HAS EARNED ITS REPUTATION AS "THE BEST CHIPPER IN THE WORLD"

LARGE INFEED SPOUTS

The 58" takes 34" (864mm) slabs and 15" (381mm) roundwood and the 66" processes 38" (965mm) slabs and 17" (432mm) roundwood.

Optional Heavy-Duty Package: Includes chipper base with 1-3/4" (45mm) or 2" (51mm) thick bolt-in replaceable back. (Thickness depends on chipper model)



Knives are easily changed through large access door in front section. Easily removed clamp type knives are standard.

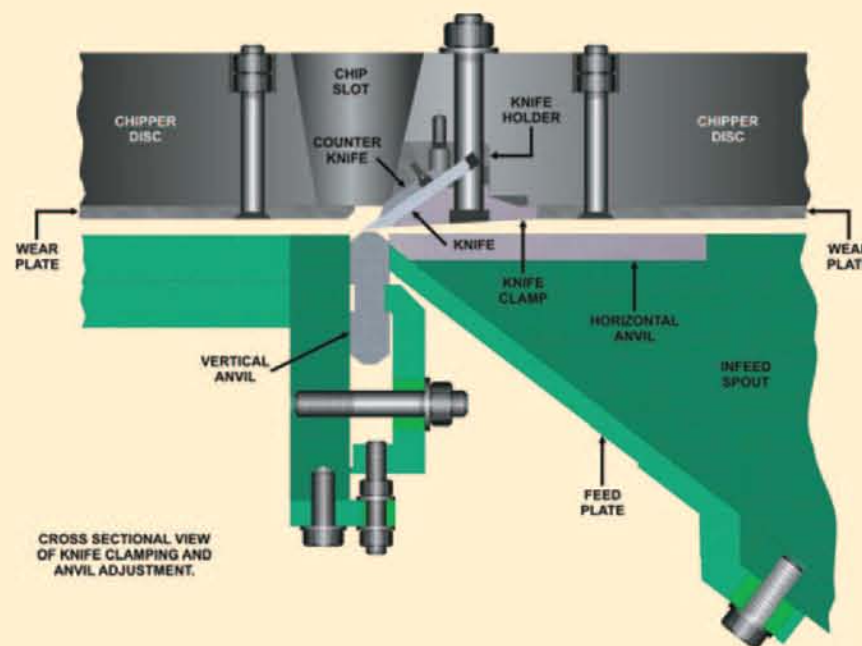
SLICING INSTEAD OF CHOPPING

The canted side spout design and the position of the knife causes a smooth slicing action. The attack angle of the knife gives a gentle lift to the slab as the knife passes the center line and begins the upward swing turning the slab counterclockwise.

The spout has a flat bottom and canted side to give 25% more anvil contact, preventing slapping and wood turning in the wrong direction.

Horizontal and vertical anvils give additional life, requiring less maintenance.

Both anvils are hard surfaced with colmonoy with a hardness of 62-65, Rockwell C scale. With a four sided replaceable anvil, maintenance and time are saved. Less horsepower is needed with Precision's smoother slicing action.



CROSS SECTIONAL VIEW OF KNIFE CLAMPING AND ANVIL ADJUSTMENT.

OPTIONS FOR 38", 48", 58" and 66" PRECISION CHIPPERS



Dissipator for rear discharge

The circular movements of the chips greatly reduce the force of the chip flow and chips are spread more evenly. Available for all four chipper sizes. Cyclone sizes from 4' (1.22m) to 8' (2.44m) in diameter.

OPTIONS

- Horizontal Feed
- Drop or Gravity Feed
- Bottom Discharge
- Top Discharge
- Rear Discharge
- Cardbreakers
- Rechipper Spout
- Helical Wear Plates
- Wear Liners
- Carbide Anvils
- Heavy Duty Chipper
- Two piece hood
- One piece hood
- Left Hand or Right Hand
- 360° Swivel Discharge
- Belt Driven
- Direct Driven
- Dissipator for Rear Discharge Chippers
- Hard Surfaced Counter Knives

Chipper Disc Thickness

- 38" Chipper-3 1/2" (89mm)
- 48" Chipper-4" (102mm) or 5" (127mm)
- 58" Chipper-5" (127mm) or 6" (152mm)
- 66" Chipper-5" (127mm) or 6" (152mm)



Rear section opening is opposite front opening with easy access for knife changing. Fan blades are easily inspected or changed.



- Chipper with diesel engine on a common base
- Chipper with electric motor on a common base as shown above